

Enclosure/Guarding Accessories

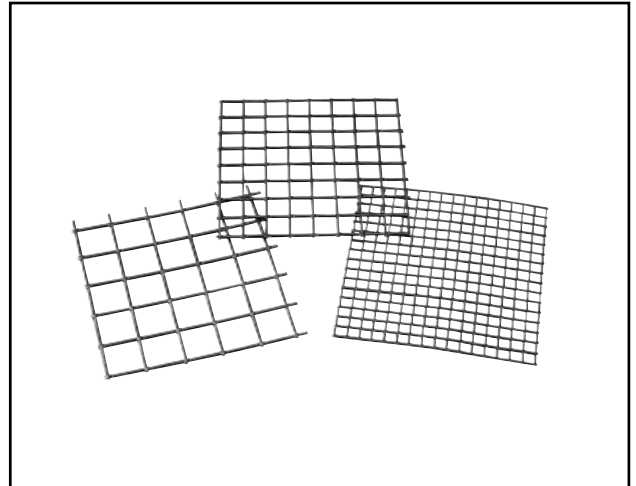
PVC Coated Wire Mesh

Maximum Size: 120 x 240 cm (48 x 96 in)

Machining Service: Custom mesh panels can be cut as required.

Specify dimensions.

Part No.	Color*	Square Size	Wire Gauge	Weight, kg/m ² (lb/ft ²)
TSP0054	Black	1/2" x 1/2"	16	3.1 (.62)
TSP0056	Black	1" x 1"	12.5	4.2 (.85)



Economy Retainer for Wire Mesh

These retainers securely fasten wire mesh within the T-slot. Fasteners included.

Part No.: TSP0052

Material: Steel

Design Tip: For a 60 x 60 cm (2 x 2 ft) or smaller panel, use one clamp per side.



Deluxe Retainer for Wire Mesh

Mechanical clamps securely fasten wire mesh within the T-slot. Fasteners and backing plate are included. Specify inch or metric mounting to profile.

Material: Aluminum

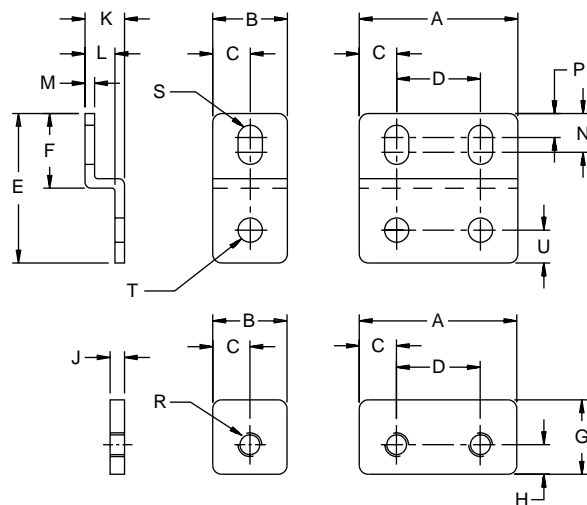
Design Tip: For a 60 x 60 cm (2 x 2 ft) or smaller panel, use one clamp per side.

Part No.	Description	Weight	
		kg	lb
TSP4007	Single retainer, 40/80	.07	.16
TSP4008	Double retainer, 40/80	.14	.31



RECOMMENDED FASTENERS

Part No.	Metric
TSP4007	TSF4008-16 TSF3008
TSP4008	(2) TSF4008-16 (2) TSF3008



Part No.	A	B	C	D	E	F	G	H	J	K	L	M	N	P	R	S	ØT	U
TSP4007	N/A	40 (1.57)	20 (.79)	N/A	75 (2.95)	40 (1.57)	40 (1.57)	15 (.59)	4.8 (.19)	20.8 (.82)	16 (.63)	4.8 (.19)	24 (.945)	12 (.472)	5/16-18 THD	4.1 (.16)	8.12 (.320)	15 (.591)
TSP4008	80 (3.15)	N/A	20 (.79)	40 (1.575)	75 (2.95)	40 (1.57)	40 (1.57)	15 (.59)	4.8 (.19)	20.8 (.82)	16 (.63)	4.8 (.19)	24 (.945)	12 (.472)	5/16-18 THD	4.1 (.16)	8.12 (.320)	15 (.591)

Note: All dimensions in mm (in)

Enclosure/Guarding Accessories

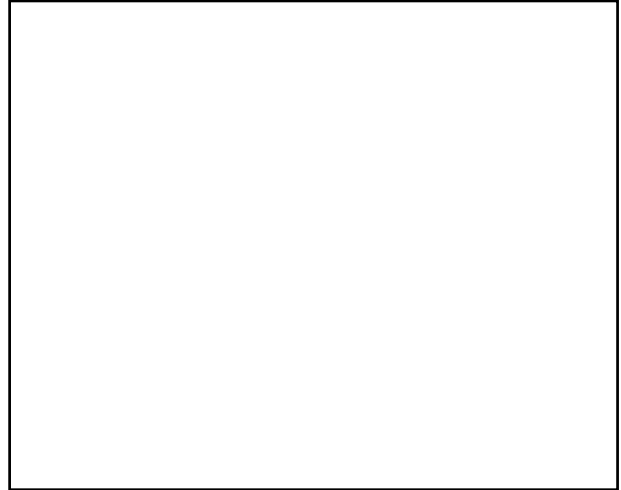
Panels

Panels are available in polycarbonate, expanded PVC or Trespa®.

Trespa is a very strong, scratch resistant panel material made from thermosetting resins reinforced with wood fibers. Trespa® panels have a decorative appearance which makes them ideal for displays, work surfaces, etc.

Machining Service: Custom panels can be cut as required. Specify dimensions. See Machining section.

Design Tip: Panel dimensions will deviate slightly depending on what fastening method is utilized.



Part No.	Color*	Material Description*	Maximum Size, cm (in)	Weight, kg/m ² (lb/ft ²)
TSP0002	Light Smoke	Polycarbonate - 6 mm (.25 in)	120 x 240 (48 x 96)	7.6 (1.6)
TSP0004	Clear	Polycarbonate - 6 mm (.25 in)	120 x 240 (48 x 96)	7.6 (1.6)
TSP0006	Black	Expanded PVC - 6 mm (.25 in)	120 x 240 (48 x 96)	4.4 (0.9)
TSP0008	Light Gray	Expanded PVC - 6 mm (.25 in)	120 x 240 (48 x 96)	4.4 (0.9)
TSP0010	White	Trespa® - 6mm (.25 in)	153 x 305 (60 x 120)	8.5 (1.7)

* Consult factory for other colors and materials.

Tightening the fit of a 6mm (.25 in) panel inside an 8 mm slot, the panel seal is pressed into the T-slot by hand or rounded tool, after a panel has been framed.

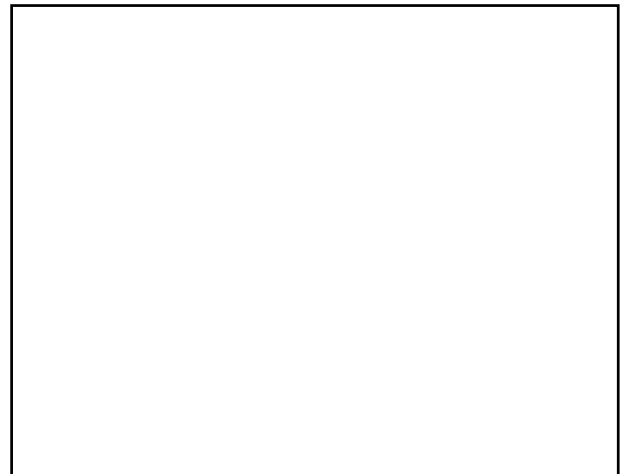
Part No.: TSA0001

Length: 150 cm (60 in)

Material: Flexible PVC

Color: Black

Design Tip: Push in this seal after a panel is captive.



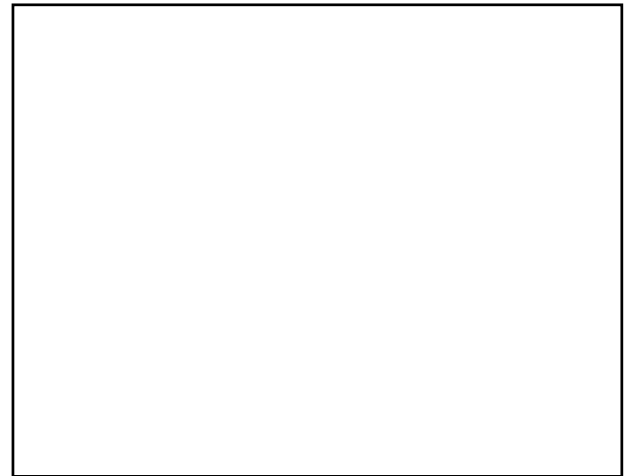
Enclosure/Guarding Accessories

Panel Gasket

These gaskets tighten the fit of a 6mm (.25 in) panel inserted into an 8mm T-slot. Gaskets prevent rattling.

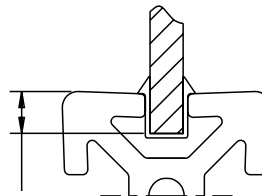
Length: 150 cm (60 in)

Assembly Tip: The TSA0003 soft gasket must be placed on panels prior to assembly. The TSA0004 hard gasket is placed into the profile T-slot before inserting the panel.



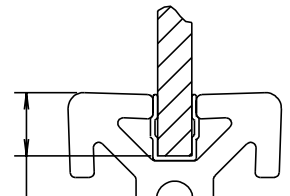
Part No.	Description	Profiles
TSA0003	Soft, vinyl, gray	40 & 80
TSA0004	Hard, high density, polyethylene, black	40 & 80

TSA0003



Add 8 mm (.32)
per side

TSA0004



Add 10 mm (.39)
per side

Enclosure/Guarding Accessories

Panel Stiffener/Handle

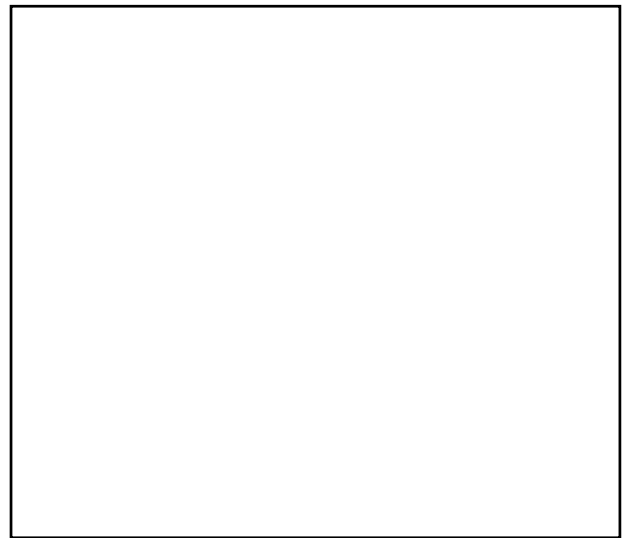
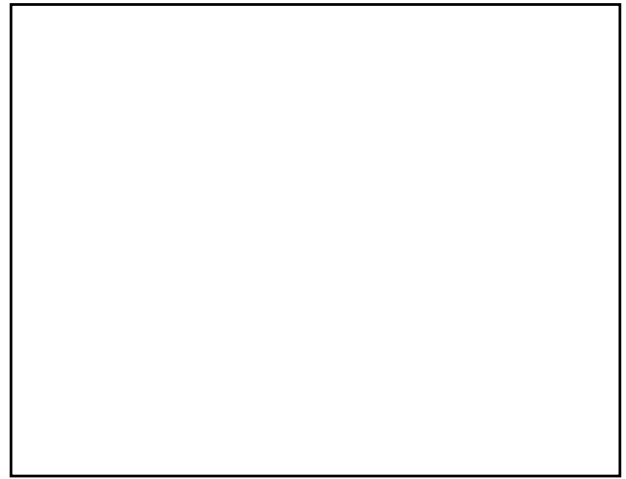
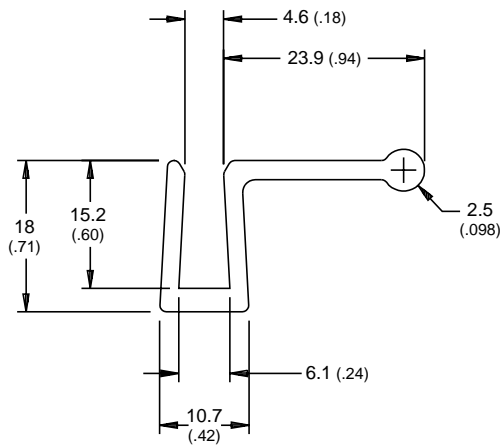
Aluminum profile easily mounts to edge of 6mm (1/4") thick panels. Offers rigidity to panels and provides a built-in handle.

Part No.: TSA0018

Length: Up to 305 cm (120")

Material: 6063-T6 Anodized Aluminum

Assembly Tip: Install with soft rubber mallet.



Enclosure/Guarding Accessories

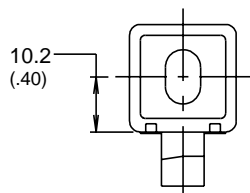
1/4-Turn Mounting Block

This block cam locks into place without utilizing tools. These provide easy mounting of paneling of various thickness. Panels may be mounted flush or overlap the profile as pictured below. **All fasteners included.**

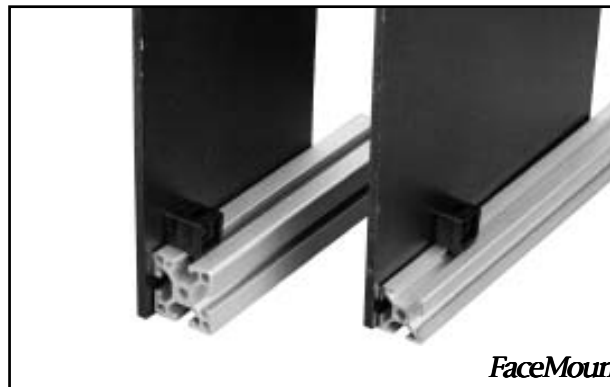
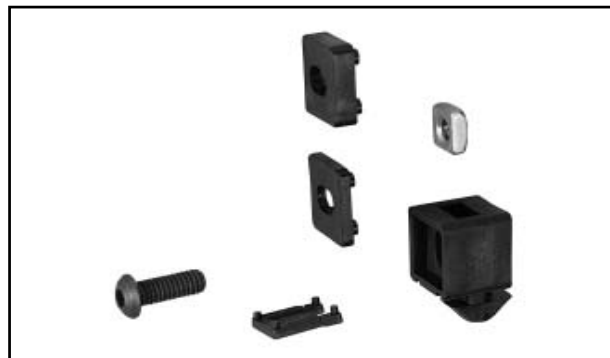
Part No.: TSP4004

Material: Glass Filled Nylon

Assembly Tip: The mounting nut has freedom to move perpendicular to the profile's axis. This allows room for error in drilling a mounting hole through the paneling. Panel hole size is 0.28".



40 & 80 profiles



Note: All dimensions in mm (in)

Enclosure/Guarding Accessories

Panel Mounting Blocks

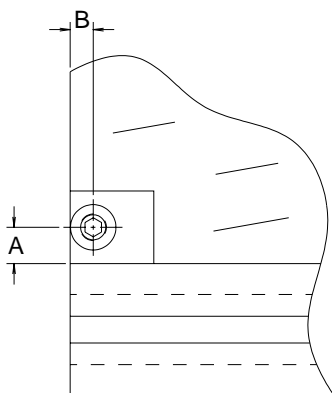
These blocks are used as a very strong mounting surface to attach a panel to a profile. One side of the block allows a 6 mm (.25 in) panel to mount flush with the edge of the profile. The opposite side of the block provides a mounting surface in line with the outside profile edge.

All fasteners included.

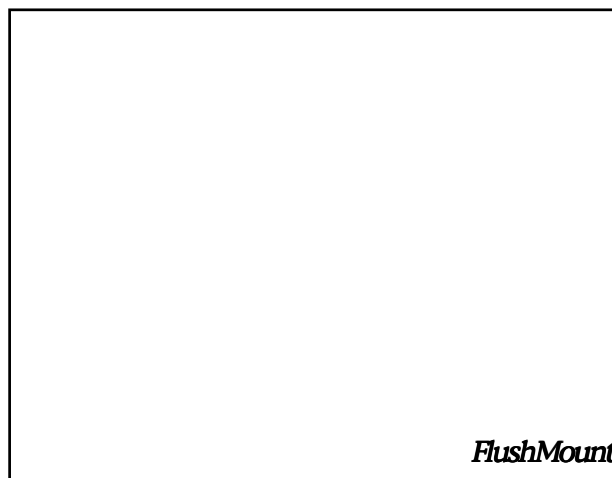
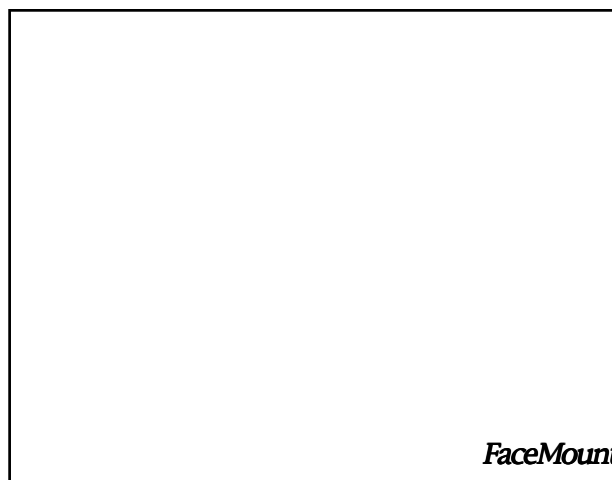
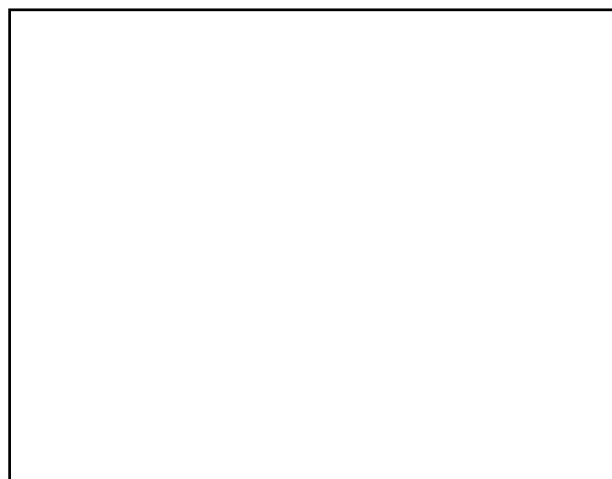
Material: 6061-T6 Aluminum Alloy, Clear Anodized

Machining Required: To facilitate attachment of a plastic panel to the Panel Mounting Block, a thru hole should be drilled in the panel. Panel hole size is 0.28".

Part No.	Profile	Weight	
		kg	lb
TSP4002	40 & 80	0.5	0.11



Part No.	A	B
TSP4002	11 (.43)	7 (.28)



Note: All dimensions in mm (in)

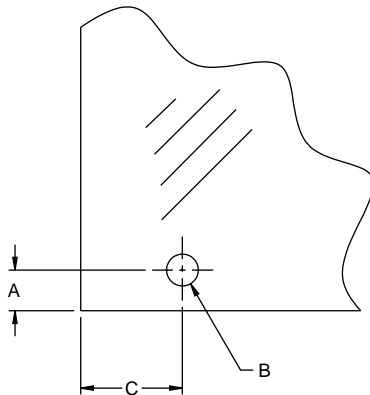
Quick Release Panel Mounting Block

These blocks are used to securely mount a panel to a profile. The panel can be easily removed with a quarter turn of the fastener. Flush mount or face mount are available. **All fasteners included.**

Material: 6061-T6 Aluminum Alloy, Clear Anodized

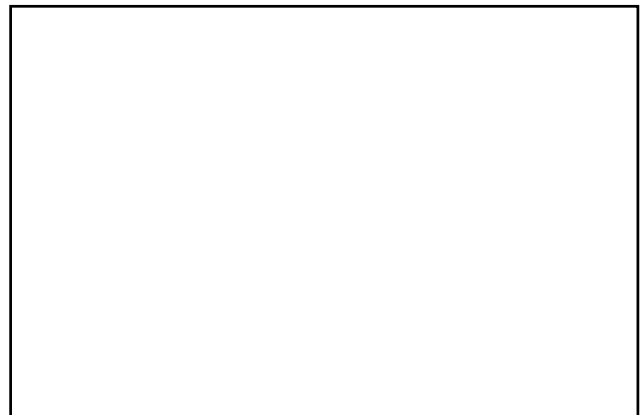
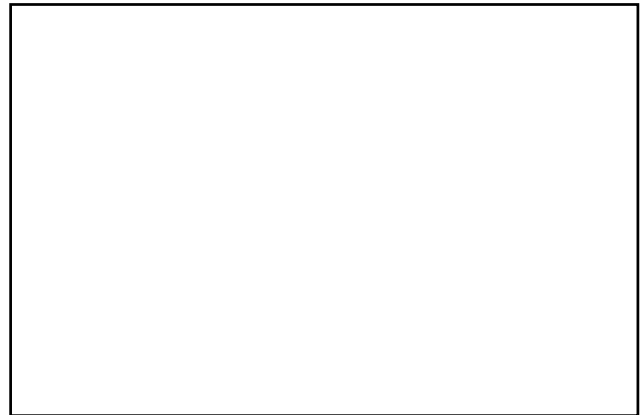
Machining Required: To facilitate attachment of a plastic panel to the Panel Mounting Block, a thru hole should be drilled in the panel. Panel hole size is 0.31".

Part No.	Mounting	Weight	
		kg	lb
TSP4020	Flush	.05	.10
TSP4022	Face	.05	.10



Part No.	A	B	C
TSP4020	10.2 (.40)	8 (.315)	As Required
TSP4022	45.7 (1.80)	8 (.315)	As Required

Note: All dimensions in mm (in)



Door Latch Assemblies

L-Handle

This latch secures all 40 mm framed doors. **All fasteners included.**

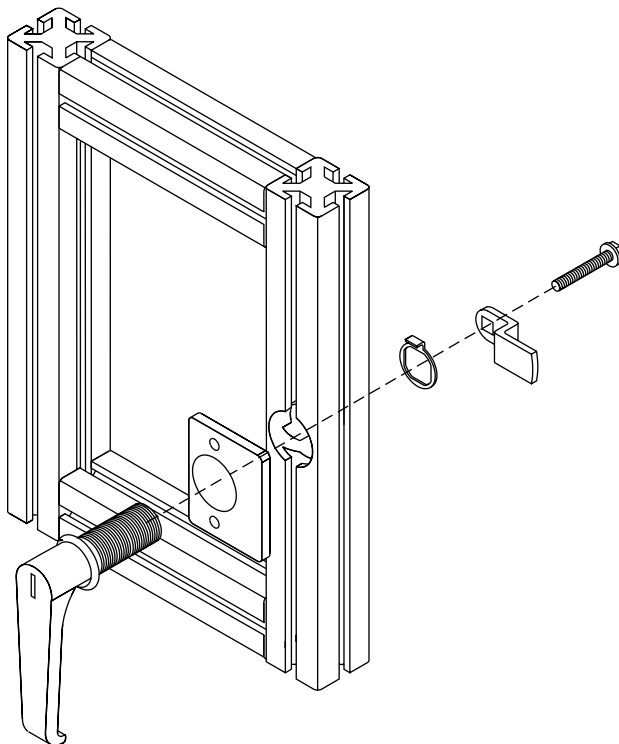
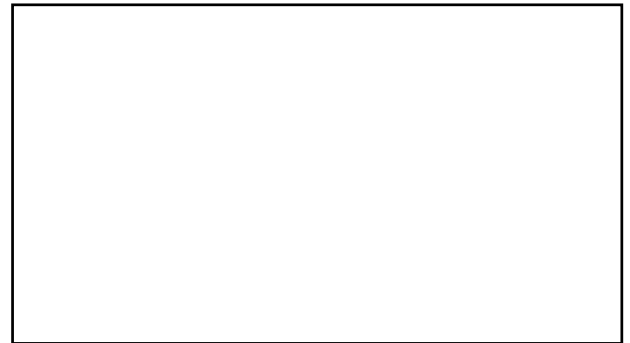
Material: Die Cast Zinc

Color: Black Powder Coating

Machining Service: Profiles can be pre-drilled if necessary. Refer to Machining section.

Design Tip: Use for framed doors larger than 60 x 60 cm (2 x 2 ft). Framing these doors helps reduce flexing.

Part No.	Description
TSA0140	Locking
TSA0142	Non-Locking



Door Latch Assemblies

Push Button

This latch secures unframed doors. **All fasteners included.**

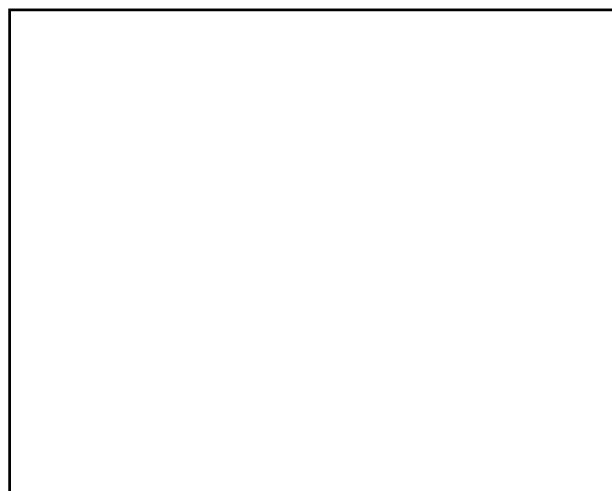
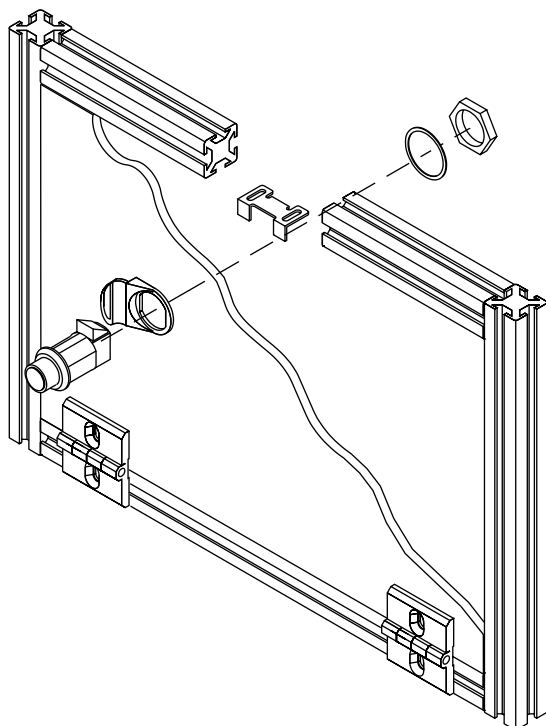
Material: Thermoplastic Polyester

Color: Black

Machining Service: Panels can be pre-drilled if necessary. Refer to Machining section.

Design Tip: Use for unframed doors smaller than 60 x 60cm (2 x 2 ft).

Part No.	Type
TSA0136	Locking
TSA0138	Non-Locking



Door Latch Assemblies

Deadbolt Latch

This latch secures 40 mm framed doors with a deadbolt.

Part No.: TSA0300

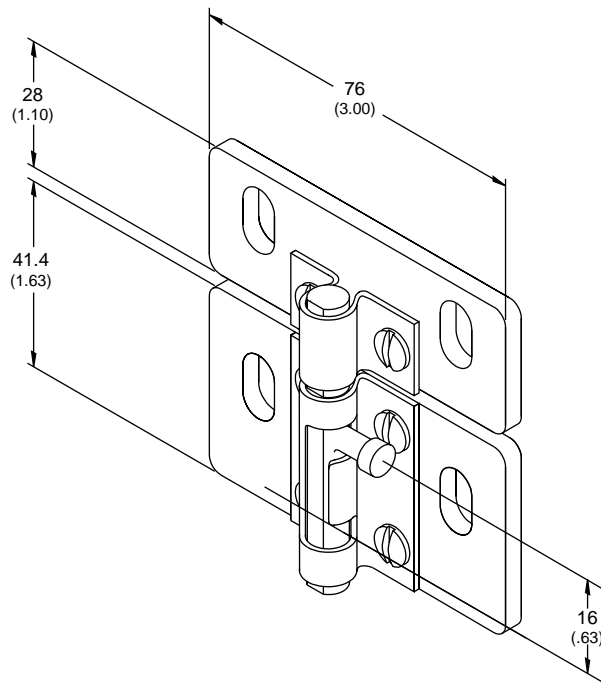
Material: Mounting plates - aluminum
Deadbolt - steel

Color: Black



Fastening Sets

Part No.	Connection
TSF2514	40 Door to 40/80 Frame

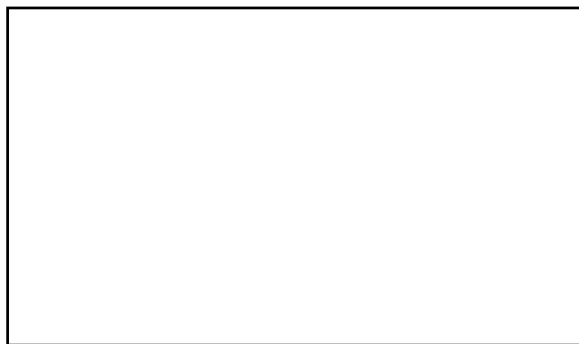


Enclosure/Guarding Accessories

Handles

Two types of handles are available: First, a heavy-duty plastic handle (in two sizes) for mounting to profile T-slots. Second, a lighter duty nickel coated brass handle mounts directly to plastic panels. **All fasteners included.**

Machining Required: Panel mounting of Part No. TSA0114 requires two 5 mm (.19 in) diameter thru holes at 101.5 mm (4.00 in) centers.



Part No.	Hole Center Distance		Material	Color	Application	Weight	
	mm	in				kg	lb
TSA0103	117	4.61	Plastic	Black	All Profiles	0.05	0.10
TSA0104	179	7.05	Plastic	Black	All Profiles	0.07	0.15
TSA0114	101.5	4.00	Nickel Coated Brass	Silver	Plastic Panel	0.07	0.15

Metal Lift-Off Hinge Sets

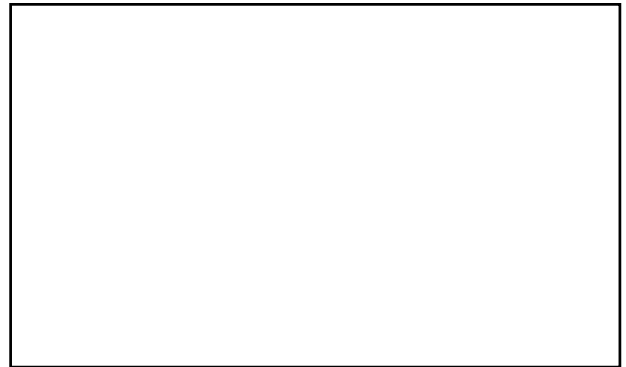
Lift-off hinges allow doors to be lifted off to provide access into a structure. These hinges provide mounting of 40 mm framed doors to 40 & 80 mm profiles.

Specify a left hand or right hand lift-off hinge set. A set includes two hinges per door. See next page for a pictorial description. **All fasteners included.**

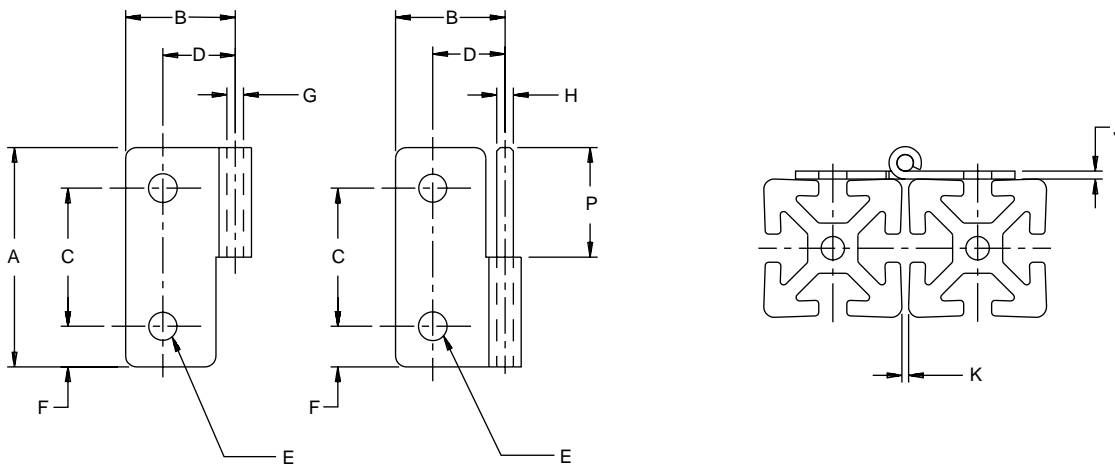
Material: Steel

Color: Black

Assembly Tip: For a **lift-off** door, both hinge pins should point in the same direction. For a **captive** door, hinge pins should point in opposite directions.



Hinge Sets	Frame/Door Profile Sizes
	40/40
Lift-Off Left	TSA0240L
Lift-Off Right	TSA0240R
Captive	TSA0244



Hinge	A	B	C	D	E	F	G	H	J	K	P
40 Female	63.5 (2.50)	31.8 (1.25)	40.0 (1.575)	21.0 (.825)	8.1 (.320)	11.8 (.463)	4.8 (.190)	—	2.3 (.090)	1.9 (.075)	—
40 Male Long Pin	63.5 (2.50)	31.8 (1.25)	40.0 (1.575)	21.0 (.825)	8.1 (.320)	11.8 (.463)	—	4.7 (.187)	2.3 (.090)	1.9 (.075)	31.8 (1.25)
40 Male Short Pin	63.5 (2.50)	31.8 (1.25)	40.0 (1.575)	21.0 (.825)	8.1 (.320)	11.8 (.463)	—	4.7 (.187)	2.3 (.090)	1.9 (.075)	16.0 (.63)

Note: All dimensions in mm (in)

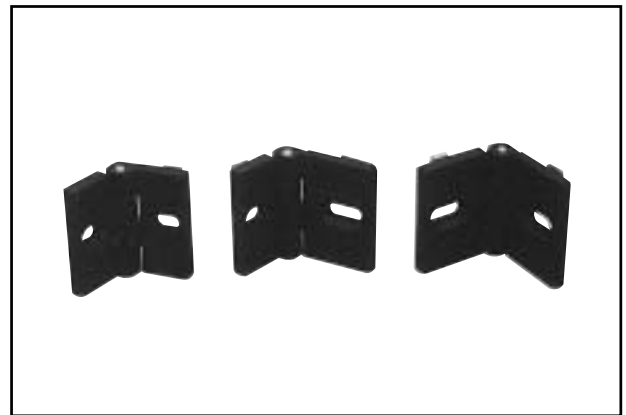
Enclosure/Guarding Accessories

Adjustable Gap Hinges

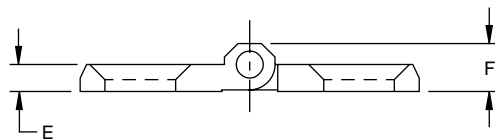
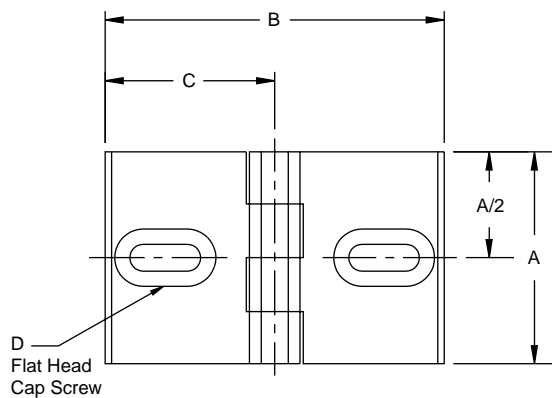
These hinges have slotted mounting holes for adjustment. Press-in blocks allow a variable "gap". **All fasteners included.**

Material: Zinc Die Casting

Color: Black



Part No.	Profile Connection	Weight	
		kg	lb
TSA0112	40 to All 40 & 80	0.14	0.31



Part No.	A	B	C	D	E	F
TSA0112	50 (1.97)	80 (3.15)	40 (1.57)	M6	6.4 (.25)	11.3 (.44)

Note: All dimensions in mm (in)

Enclosure/Guarding Accessories

Upper/Lower Panel Track

This track acts as a guide for 6 mm (.25 in) panels. The upper track has deeper slots so that a panel can be installed after assembling the frame.

Length: 150 cm (60 in)

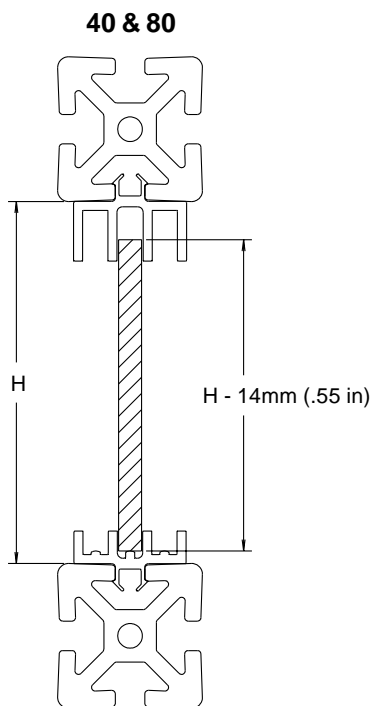
Material: High Impact Rigid PVC

Color: Black

Design Tip: A panel may be lifted out of the track if the spacing between profiles exceeds the panel distance by 14mm. Shorter spacing will cause the panels to be held captive.



Part No.	Description	Profile
TSA0006	Lower	40 & 80
TSA0008	Upper	40 & 80



Note: All dimensions in mm (in)

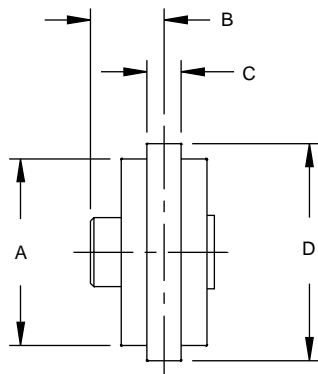
Enclosure/Guarding Accessories

Roller Wheels

Roller wheels are used to provide guided linear motion. The wheel mounts to a profile end or T-slot, and rolls in the mating profile's T-slot. The roller wheels are fitted with sealed ball bearings to provide for a smooth frictionless motion. **All fasteners are included.**

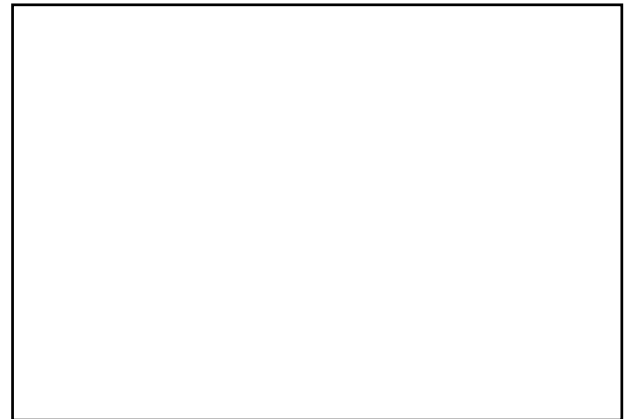
Material: Black Nylatron

Part No.	Profile	Maximum Load Per Wheel	
		kg	lb
TSA0132	40 & 80	15	33



	A	B	C	D
TSA0130	31 (1.221)	13.7 (.54)	8.0 (.31)	50.1 (1.973)
TSA0132	43 (1.693)	33.0 (1.30)	10.0 (.39)	57.1 (2.250)

Note: All dimensions in mm (in)



Enclosure/Guarding Accessories

End Caps

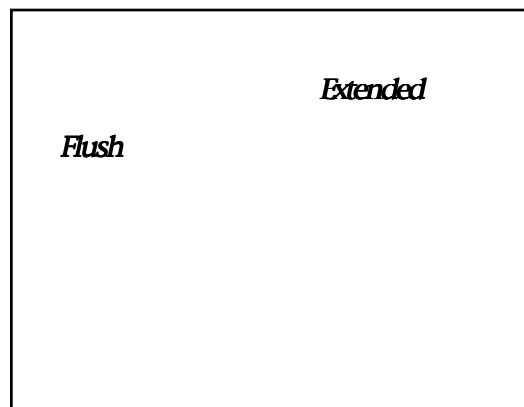
End caps are used for covering extrusion profile ends to eliminate deburring. They may be mounted extended or flush. Order push-in fasteners separately below.

Material: High-Impact Plastic

Color: Black

Design Tip: End caps can be positioned flush to improve appearance.

Profile	End Cap Part No.	Fasteners per End
TSV4040	TSC4040	1
TSL4040	TSC4040	1
TSV4080	TSC4080	2
TSL4080	TSC4080	2
TSL8080	TSC8080	4



RECOMMENDED FASTENER

(See table above for quantity required per profile end.)

Part No.	Description
TSF0030	Push-in Fastener for all end caps

T-Slot Covers

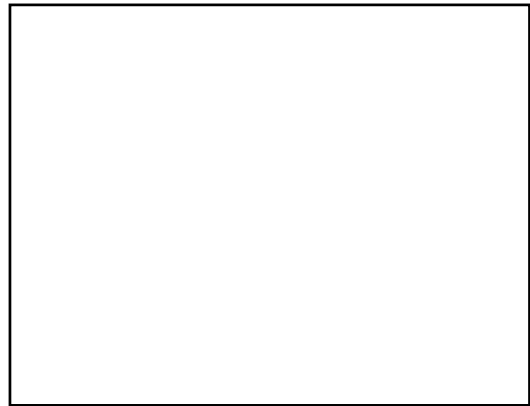
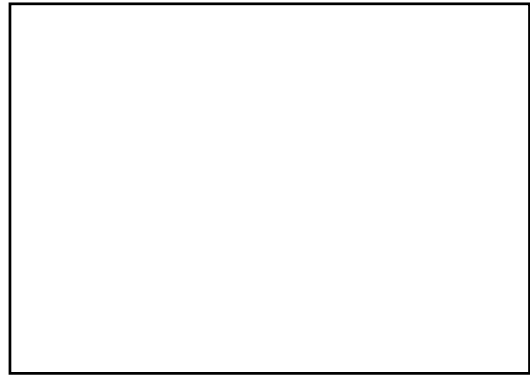
Black T-Slot Covers

Inserting this cover into a T-slot prevents dirt or debris from collecting in the slot.

Length: 150 cm (60 in)

Material: High Density Polyethylene

Part No.	Color	Profiles
TSA0004	Black	40 & 80



Yellow T-Slot Covers

These bright covers provide high visibility in guarding applications. Inserting this cover into a T-slot prevents dirt or debris from collecting in the slot. Wide covers are highly visible for safety and guarding applications.

Length: 150 cm (60 in)

Material: PVC

Part No.	Style	Profiles
TSA0004-Y	Narrow	40 & 80
TSA0015-Y	Wide	40 & 80

